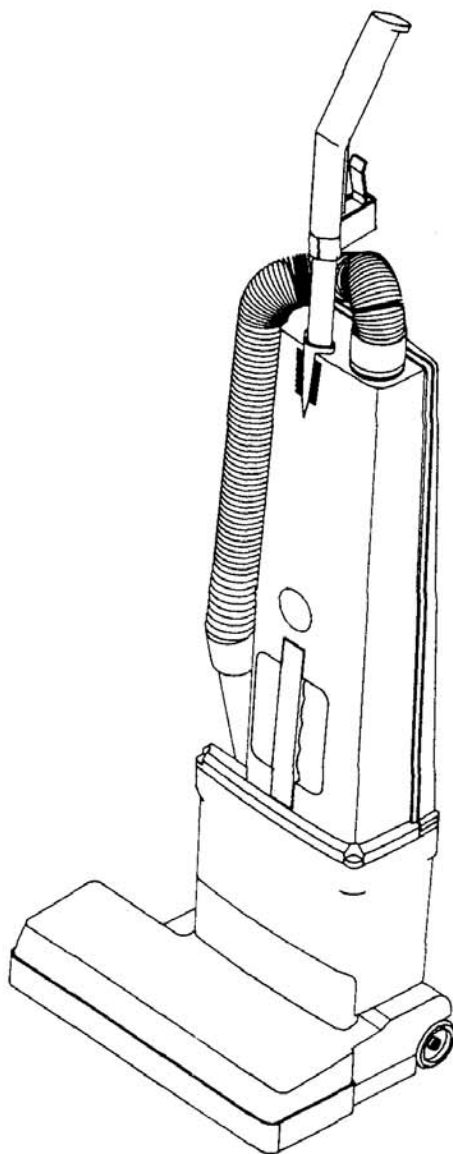
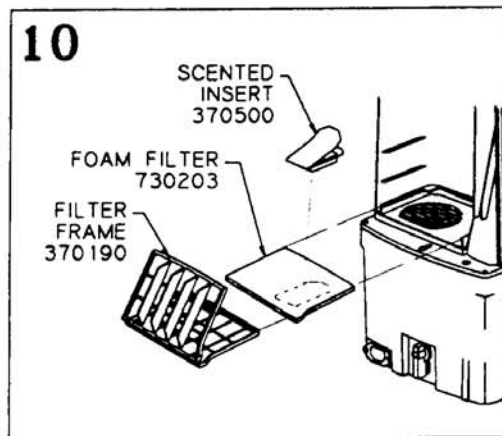
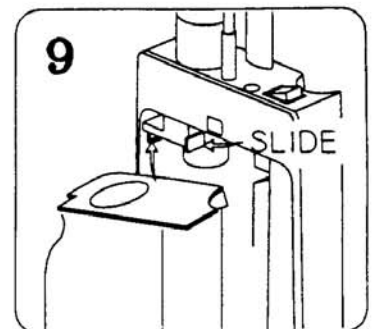
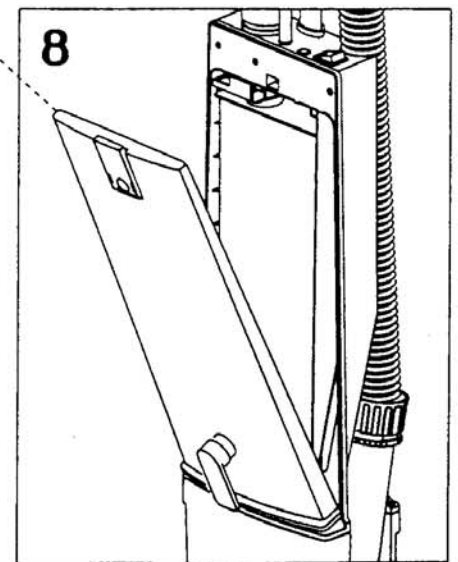
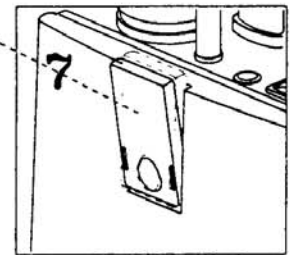
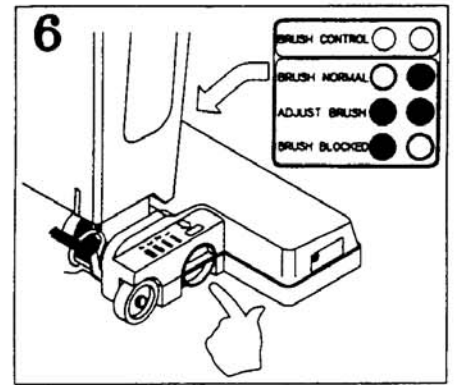
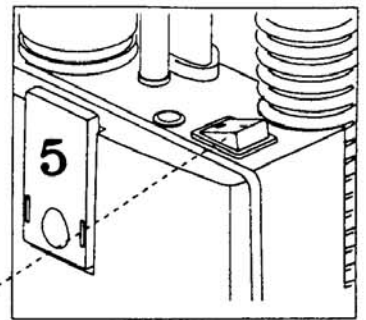
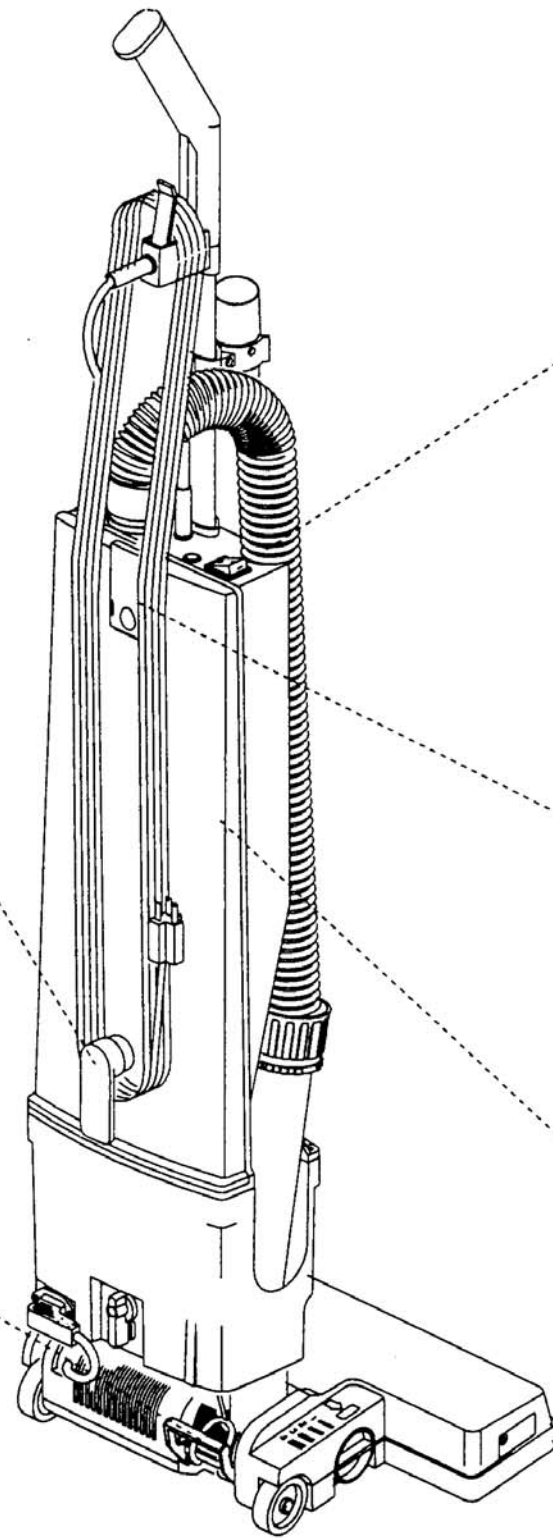
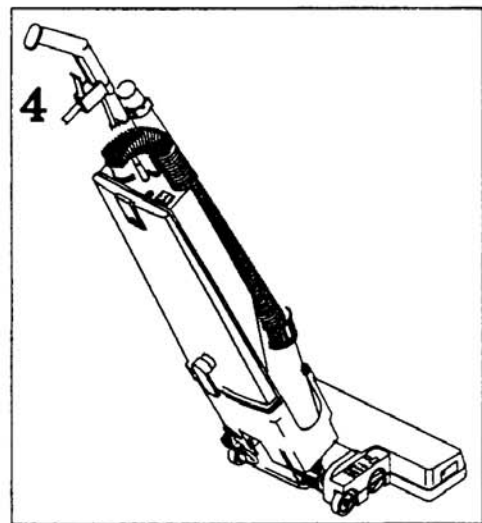
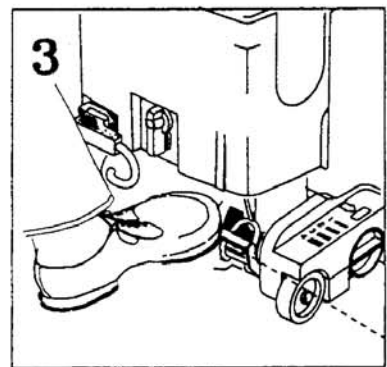
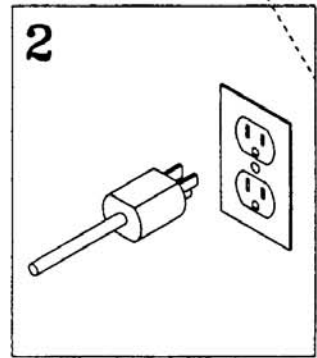
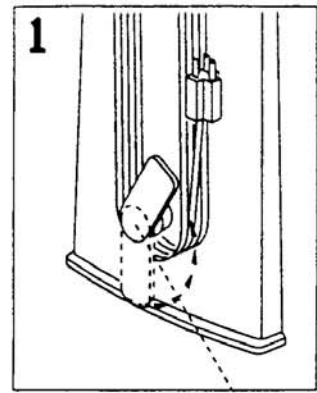


PANTHERMATIC
14 XL & 18 XL

Stock No:
4468-14
4468-18

■ OPERATION ■ SERVICE ■ PARTS ■ CARE





FOR COMMERCIAL USE ONLY

IMPORTANT SAFETY INSTRUCTIONS

When using an electrical appliance, basic precautions should always be followed, including the following:

READ ALL INSTRUCTIONS BEFORE USING

WARNING - To reduce the risk of fire, electric shock, or injury:

Electric shock could occur if used outdoors or on wet surfaces.

- Do not leave appliance when plugged in. Unplug from outlet when not in use and before servicing.
- Do not allow to be used as a toy. Close attention is necessary when used by or near children.
- Use only as described in this manual. Use only manufacturer's recommended attachments.
- Do not use with damaged cord or plug. If appliance is not working as it should, has been dropped, damaged, left outdoors, or dropped into water, return it to a service center.
- Do not pull or carry by cord, use cord as a handle, close a door on cord, or pull cord around sharp edges or corners. Do not run appliance over cord. Keep cord away from heated surfaces.
- Do not unplug by pulling on cord. To unplug, grasp the plug, not the cord.
- Do not handle plug or appliance with wet hands.
- Do not put any object into openings. Do not use with any opening blocked; keep free of dust, lint, hair, and anything that may reduce air flow.
- Keep hair, loose clothing, fingers, and all parts of body away from openings and moving parts.
- Do not pick up anything that is burning or smoking, such as cigarettes, matches, or hot ashes.
- Do not use without dustbag and/or filters in place.
- Turn off all controls before unplugging.
- Use extra care when cleaning on stairs.
- Do not use to pick up flammable or combustible liquids such as gasoline or use in areas they may be present.
- Connect to a properly grounded outlet only. See grounding instructions.

SAVE THESE INSTRUCTIONS

INSPECTION

Carefully unpack and inspect your machine for shipping damage. Each unit is tested and thoroughly inspected before shipment, and any damage is the responsibility of the delivery carrier who should be notified immediately.

USER MAINTENANCE INSTRUCTIONS

All service and repair should be performed by qualified service representative or electrician. No user serviceable components are employed in the electrical system. No lubrication of the motor is required.

While not in use storage can be accomplished by winding cord around rear of machine. Cord hooks are provided.

This equipment should be stored indoors and not exposed to rain.

ELECTRICAL - 4468-14, 18

This machine is designed to operate on a standard 15 amp, 120 volt, 60 hz, AC circuit. Voltages below 105 volts AC or above 125 volts AC could cause serious damage to the motor.

WARNING

Electric motors can cause explosions when operated near explosive materials or vapors. Do not operate this machine near flammable materials such as solvents, thinners, fuels, grain dust, etc.

GROUNDING INSTRUCTIONS

This appliance must be grounded. If it should malfunction or breakdown, grounding provides a path of least resistance for electric current to reduce the risk of electric shock. This appliance is equipped with a cord having an equipment-grounding conductor and grounding plug. The plug must be plugged into an appropriate outlet that is properly installed and grounded in accordance with all local codes and ordinances.

DANGER - Improper connection of the equipment-grounding conductor can result in a risk of electric shock. Check with a qualified electrician or service person if you are in doubt as to whether the outlet is properly grounded. Do not modify the plug provided with the appliance -- if it will not fit the outlet, have a proper outlet installed by a qualified electrician.

This appliance is for use on a nominal 120-volt circuit and has a grounding plug that looks like the plug illustrated in sketch A below. Make sure that the appliance is connected to an outlet having the same configuration as the plug. No adapter should be used with this appliance.



SKETCH A

POUR USAGE COMMERCIAL SEULEMENT

MODE D'EMPLOI SECURITAIRE

Lorsque l'on utilise un appareil électrique, des précautions de base doivent toujours être suivies telles que:

BIEN LIRE LE MODES D'EMPLOI AVANT USAGE

AVERTISSEMENT - Pour réduire les risques de feu, choc électrique ou blessure:

Pour réduire les risques des chocs électriques - Ne pas exposer à la pluie - Entreposer à l'intérieur.

- Ne pas quitter l'appareil lorsque la prise de courant est branchée. Débrancher de la sortie électrique lorsque la machine n'est pas en usage ou pour en faire le service.
- Ne pas permettre l'usage comme jouet. Etre très prudent lorsque l'appareil est utilisé en présence d'enfants.
- Utiliser tel que prescrit dans le livre d'opération et seulement avec les attachements recommandés par le manufacturier.
- Ne pas s'en servir avec corde ou prise de courant endommagée. Si l'appareil ne fonctionne pas ou a été échappé, endommagé, entreposé à l'extérieur ou déposé dans l'eau, l'appareil devrait être envoyé à un département de service pour inspection.
- Ne pas tirer ou porter par le câble ou se servir du câble comme poignée. Ne pas fermer de portes sur le câble ou tirer le câble près d'objets pointus. Ne pas conduire l'appareil en écrasant le câble et soyez certain de protéger le câble entre toutes surfaces de chauffage.
- Ne pas débrancher en se servant du câble. Pour débrancher tirer sur la prise et non sur le câble.
- Ne pas manipuler la prise ou l'appareil avec les mains mouillées.
- Ne placer aucun objet dans la sortie et ne pas s'en servir si la sortie est obstruée. Eliminer toute poussière, maillon, cheveux ou quoique ce soit qui pourrait réduire le mouvement d'air.
- N'exposer aucun cheveux, vêtement, doigts ou autres aux ouvertures de l'appareil.
- Ne rien ramasser de ce qui brûle ou de fumée tels que cigarettes, allumettes ou cendres en feu.
- Ne pas employer sans filtre de poussière ou autre en position.
- Fermer tous les contrôles après utilisation.
- Soyez très prudent lors du nettoyage d'escaliers.
- Ne pas ramasser de liquide inflammable ou combustible tel que gazoline et ne pas utiliser dans les endroits ou ces derniers pourraient être présent.
- Brancher dans une prise avec une prise de terre seulement. Voir références pour prise de terre.

**CONSERVEZ CES RECOMMANDATIONS
DE MODE D'EMPLOI**

INSPECTION

Déballer soigneusement et inspecter la possibilité de tout dommage apparent. Chaque machine est complètement inspectée à l'usine et les dommages de transit sont la responsabilité de la compagnie de transport qui devrait être prévenue immédiatement.

INSTRUCTIONS A L'UTILISATEUR

Toute réparation ou entretien doit être fait par un représentant de service qualifié ou un électricien. Aucune pièce de la tête de l'aspirateur ne nécessite d'entretien de la part de l'utilisateur. Aucune lubrification du moteur n'est requise.

Si non en service, on peut le ranger en enroulant le cordon à l'arrière autour des crochets.

Cet équipement doit être rangé à l'intérieur.

ELECTRICITE - 4468-14, 18

Cette machine est conçue pour opérer sur un circuit standard de 15 amp. 115 volt, 60 hz, circuit AC. Tous voltages en bas de 105 volts AC ou au delà de 125 volts AC pourrait occasionner des dommages au moteur.

AVERTISSEMENT

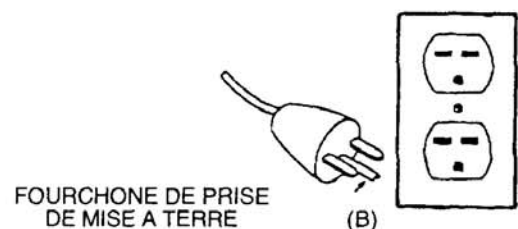
Les moteurs électriques peuvent être la cause d'explosion si utilisés près de matériaux ou vapeurs explosifs. Ne pas opérer près de matériaux inflammables tels que solvant, gazolines, poussière de grain etc.

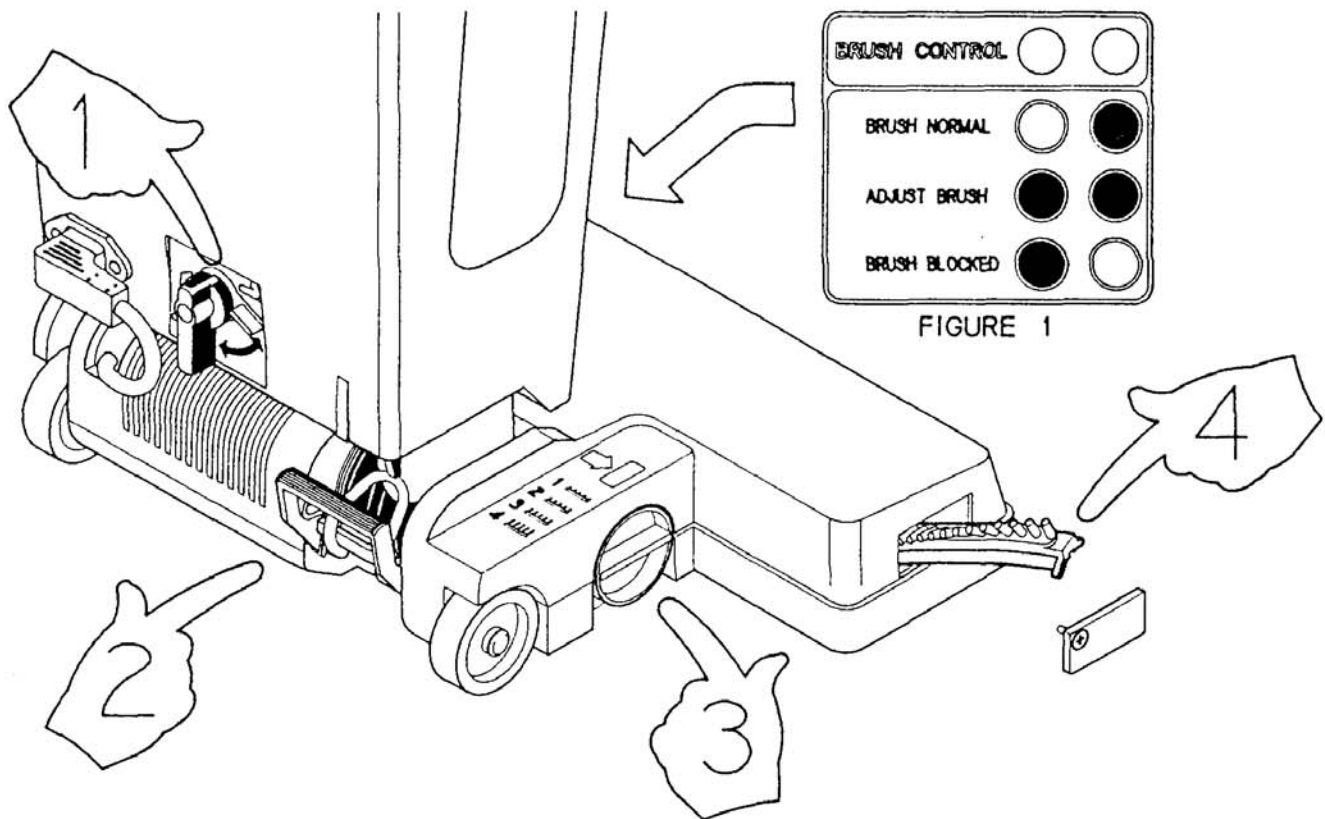
INSTRUCTIONS POUR PRISSE DE TERRE

Cet appareil doit posséder une prise de terre, S'il y avait malfonction ou brisure, une prise de terre offre une voie de moindre résistance de façon à ce que le courant électrique réduise le risque de choc. Cet appareil est équipé d'une prise de terre de même qu'une prise de courant avec prise de terre. Cette prise doit être déposée dans une sortie adéquate qui sera installée selon les exigences et les lois locales.

DANGER - Un mauvais assemblage du conducteur de prise de terre pourrait causer un risque de choc électrique. Vérifier auprès d'un électricien certifié ou d'une personne qualifiée si vous avez des doutes à savoir si la prise est bien complétée. Ne pas modifier la prise qui vient avec cet appareil. Si la prise n'accède pas à la sortie, un électricien qualifié devrait la remplacer.

Cet appareil doit être utilisé sur un circuit de nominal de 115/120 volt et posséder une prise de terre qui ressemble à la prise illustrée dans le schéma A. Bien vous assurer que la sortie de courant soit de la même configuration que la prise. Aucun adaptateur ne doit être utilisé avec cet appareil.





GENERAL INSTRUCTIONS

1. Installation/Removal of Brush Head

Brush head can be removed by turning knob to the right. The brush head can now be separated from vacuum housing.

2. Handle Release

To release the machine from upright position, push down on foot release as shown in example 2.

3. Brush Adjustment (3) / Electronic Control (Figure 1)

Brush adjustment is made by rotating knob (3) to desired position. Always start at the highest setting and rotate to lower setting if needed (see explanation below).

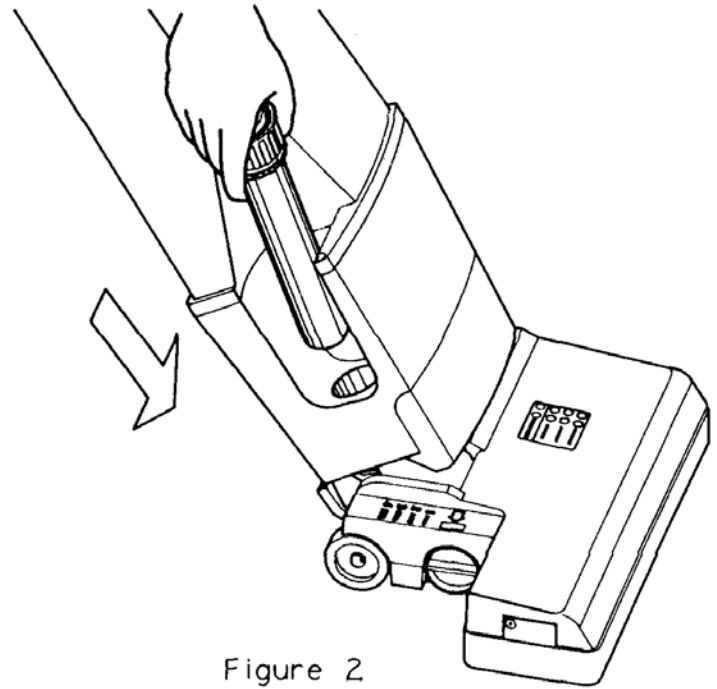
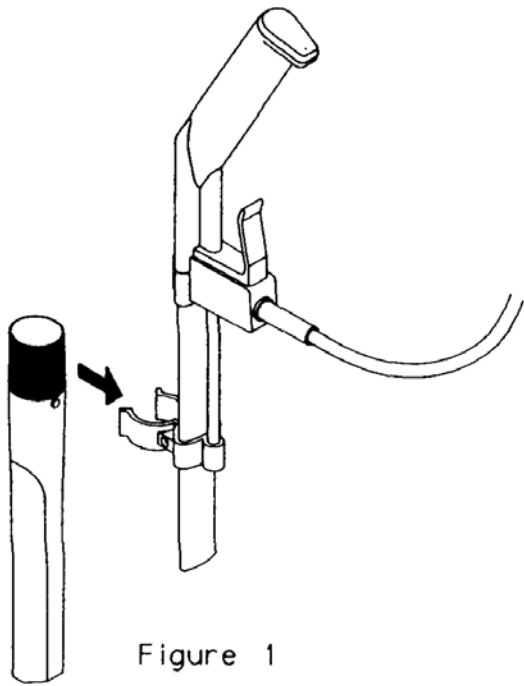
The two indicator lights on the brush head allows the operator to monitor brush performance. When only the **GREEN LIGHT** is on, brush setting is correct. When both the **GREEN** and **RED LIGHTS** are on, the brush setting is too high. Lower brush setting until the **RED LIGHT** goes out.

RED LIGHT may flicker when used on low nap commercial grade glue down type carpet. If **RED LIGHT** remains on continuously during brush operation at lowest setting (1), brush strip should be replaced. If **BRUSH ASSY** is obstructed, electronic control will shut off brush motor. Turn machine off and **UNPLUG** from **ELECTRICAL OUTLET**. Clear obstruction from brush assembly and restart.

4. Bristle Insert Replacement

Remove cover and pull brush strip out. Insert new brush strip and push it in all the way. Replace cover.

CAUTION: Unplug unit from electrical outlet.



1. Tool Storage

Tools should be installed as shown in Figure 1. The smaller lower section of the tools should be snapped into the retainers.

2. Accessory Hose (Figure 2)

The vacuum hose can be used for direct suction use or with accessory tools. Simply pull out from base to use. NOTE: The brush motor turns off when the hose is removed from the housing.

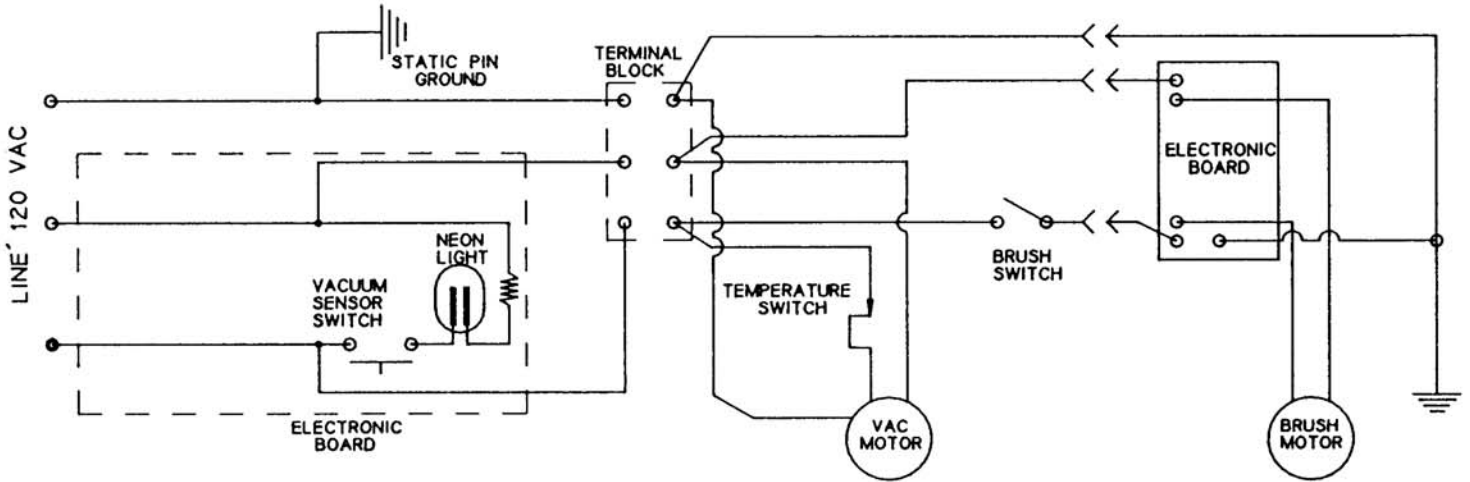
3. Full Bag Indicator

The indicator light will illuminate when the collection bag is full or when there is a blockage in the hose or brush head. Indicator light is next to on/off switch.

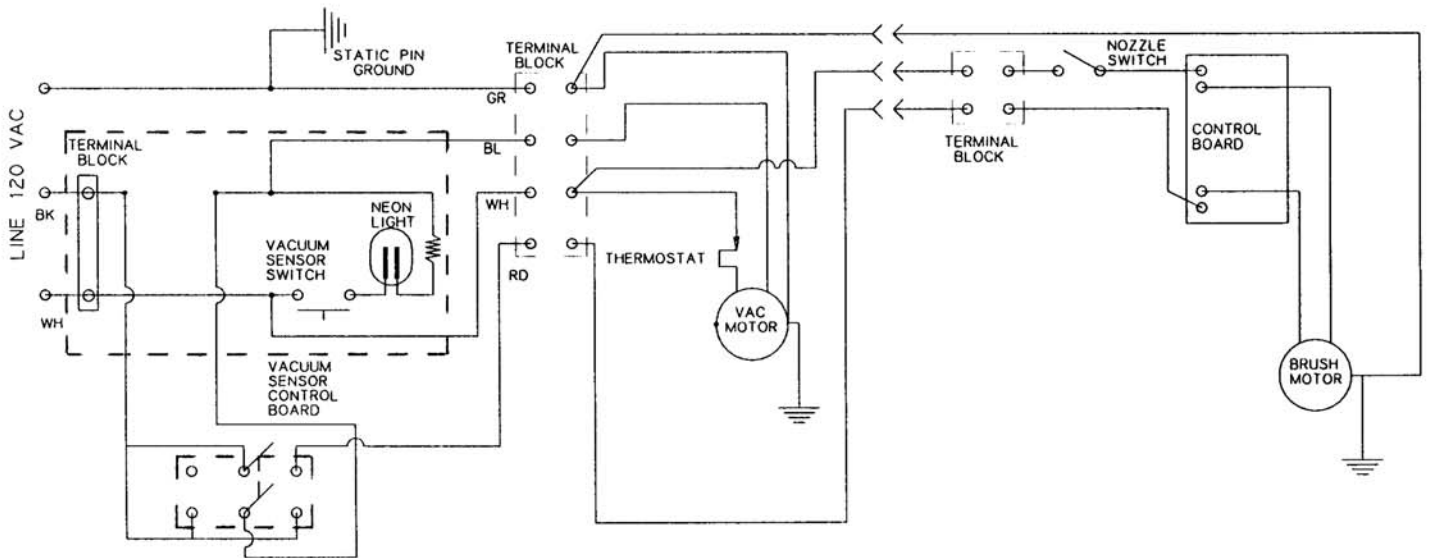
4. Optional

2-position switch, position I vacuum only. Center off position II vacuum and brush.

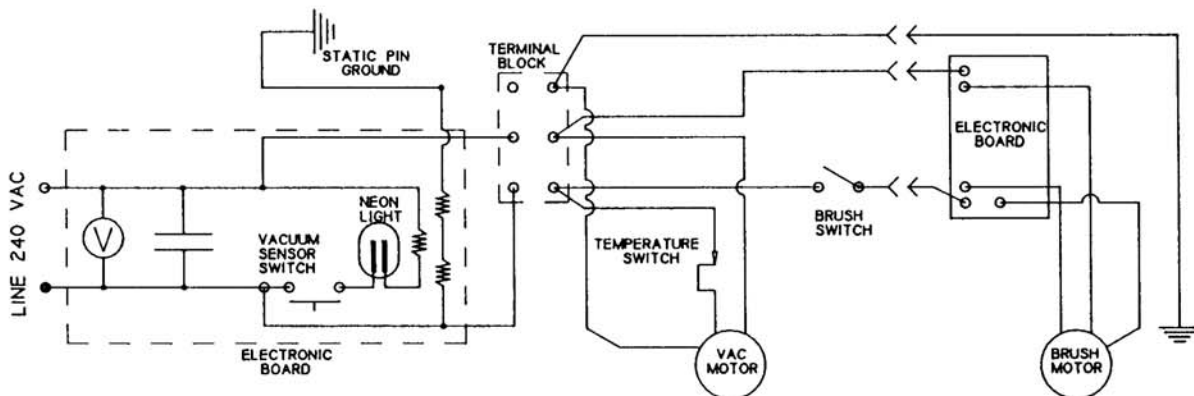
WIRING DIAGRAM 120 VAC SINGLE POSITION SWITCH

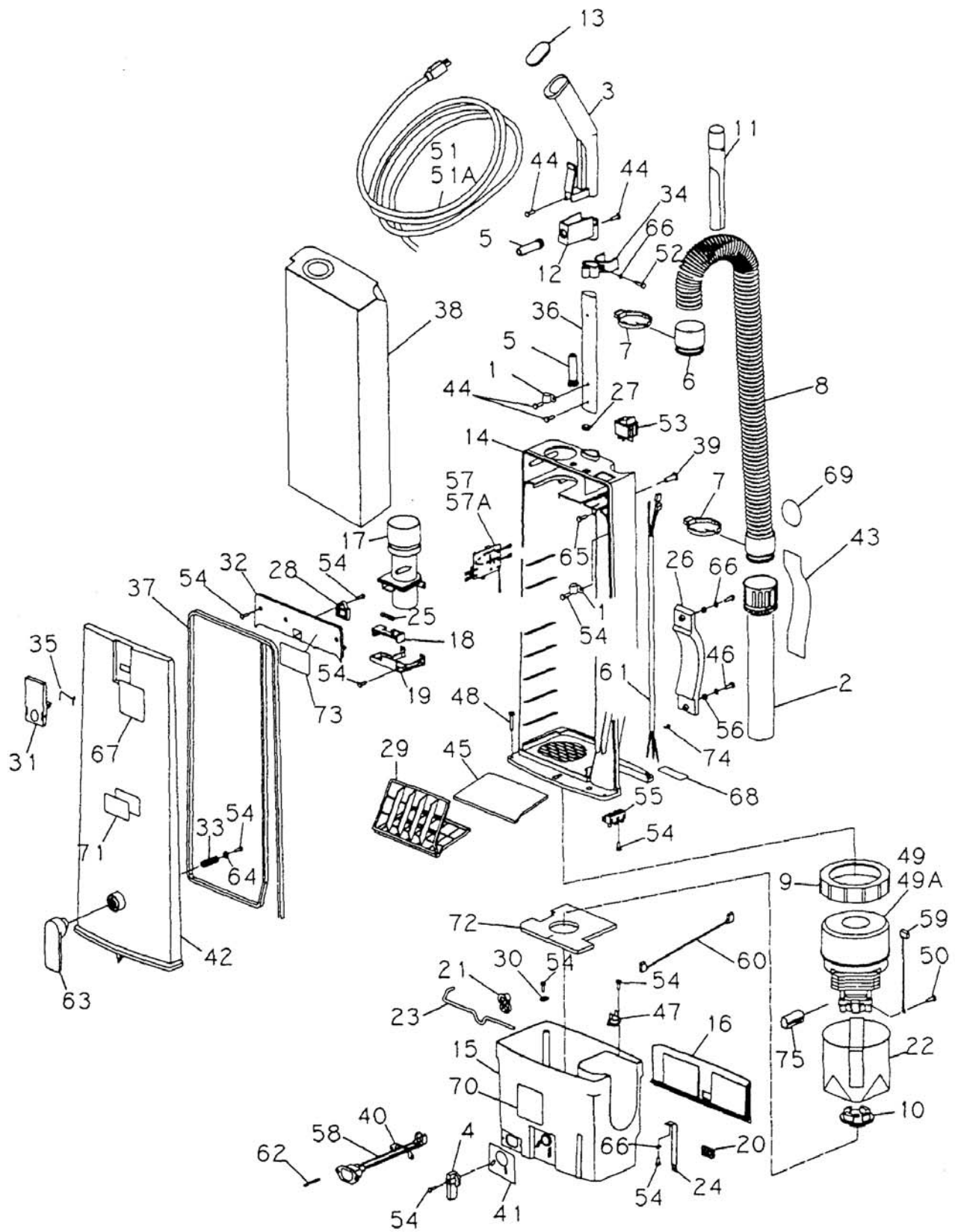


WIRING DIAGRAM 120 VAC TWO POSITION SWITCH



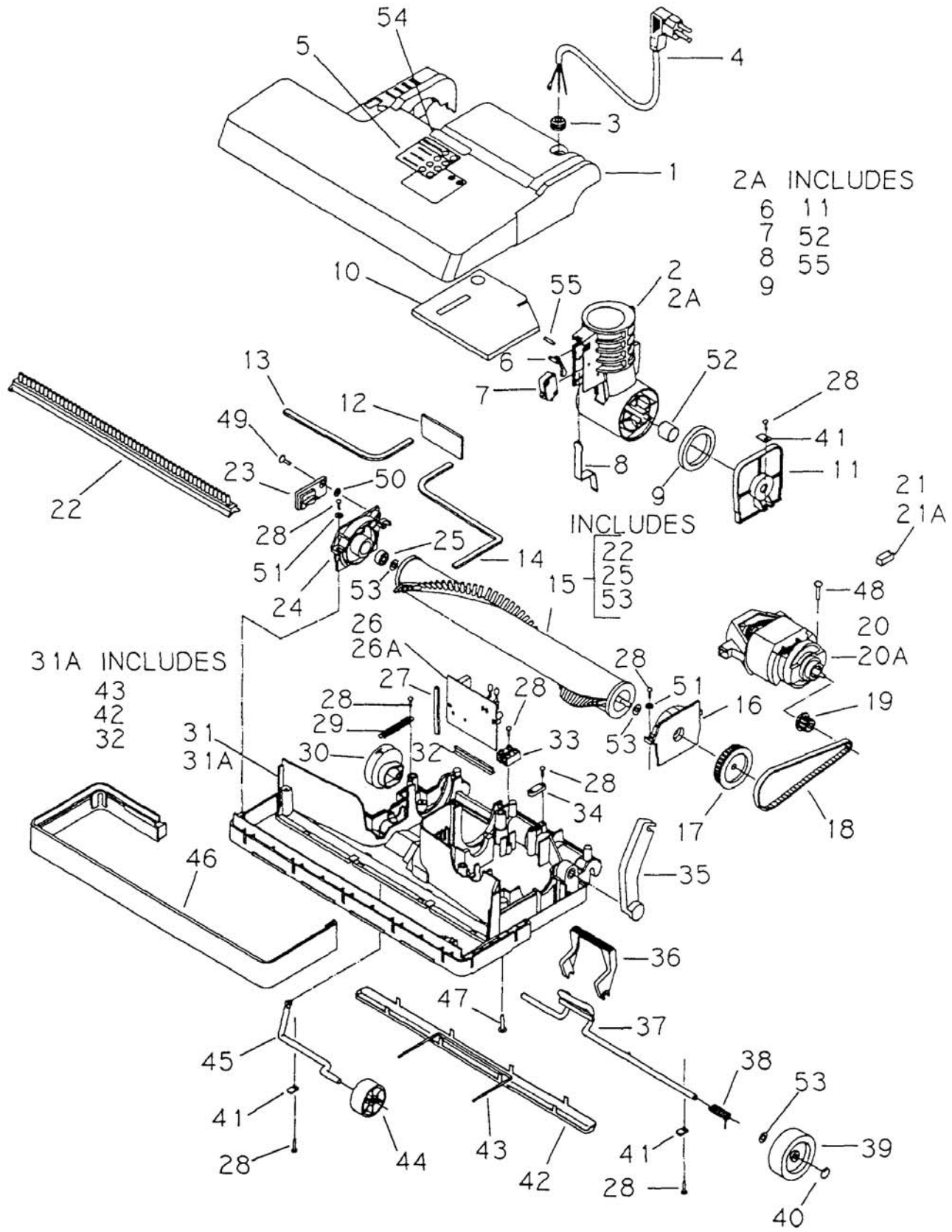
WIRING DIAGRAM 240 VAC





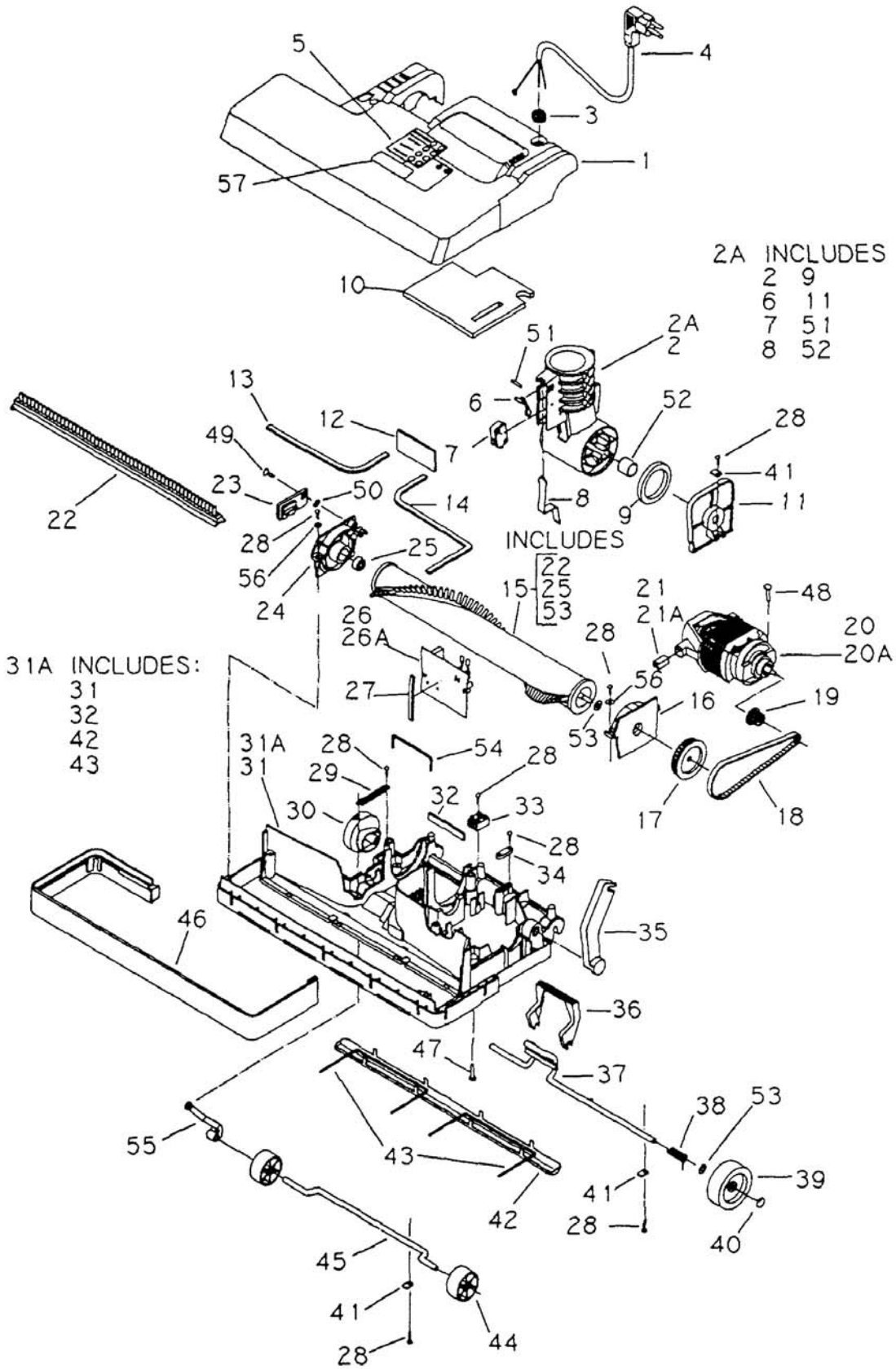
Parts List

Item	Part No.	Qty.	Description	Item	Part No.	Qty.	Description
1	250039	2	Clamp, Plastic 5/16 3305	41	715171	1	Decal Base Release NS
2	370012	1	Wand Upright	42	370303	1	Grey Rear Vac Cover
3	370156	1	Handle, Grey	43	715172	1	Decal
4	370019	1	Housing Release Knob	44	711168	4	SCR-ST-B 10-32 x .50 PL
5	370026	2	Cord Strain Relief	45	730203	1	Filter, Foam
6	370027	2	Hose Lock Fitting	46	710331	2	SCR-MC 8-32 x .75 STPL
7	370029	2	Hose Lock Ring	47	740250	1	Thermodisc 290 Twin
8	370036	1	Upright Vacuum Hose	48	710362	4	SCR-MC 10-32 x 1.25 STPL
9	370057	1	Vac Motor Gasket	49	740704	1	Vac Motor 6378-07 120V
10	370072	1	Vac Motor Dampener	49A	740086	1	Vac Motor 240V
11	370097	1	Crevice Tool	50	711124	1	SCR-ST-B 10 x .37 NI
12	370159	1	Cord Retainer Grey	51	740949	1	Power Cord Upright
13	370160	1	Handle Cap Grey	51A	740083	1	Cord HO5 VVF2 x 1.5 x 40'
14	370300	1	Grey Upper Housing, Front	52	711160	1	SCR HI/LO #10 x 5/8 PL
15	370301	1	Grey Housing Vac Motor	53	740711	1	Switch
16	370315	1	Grey Filter, Door Assembly	53A	742102	1	2-Position Switch
17	370302	1	Grey Coupling Hose	54	711181	14	SCR-ST-B HI-LO 8 x .50 PL
18	370309	1	Grey Latch, Bag Clip	55	740726	1	Terminal Block 3
19	370311	1	Grey Cover, Bag Latch	55A	742101	1	Terminal Block 4
20	370310	1	Grey Button Bag Filter	56	711372	2	Nut-Nyloc 8-32
21	370182	1	Cam, Lock and Release	57	740734	1	PC Board 120V
22	370183	1	Cover, Vac Motor	57A	742103	1	PC Board for 2-Position Switch
23	370184	1	Wire Form, Lock-Release	57B	740727	1	PC Board 240V
24	370185	1	Spring Cover Button	58	740728	1	Receptacle AC Power
25	370186	1	Spring Bag Latch	59	740730	1	Wire Assembly, Grounding
26	370304	1	Grey Handle Transport	60	740731	1	Wire Assembly
27	370188	1	Lense-Bag Full Light	61	741011	1	Wire Harness
28	370312	1	Cover, Latch	61A	742100	1	Wire Harness for 2-Position Switch
29	370190	1	Filter Frame, Vac Motor	62	827666	2	Rivet Pop
30	370305	2	Tab, Holddown	63	370313	1	Cord Hook
31	370306	1	Grey Latch	64	711503	1	WSR-Flat #10
32	370307	1	Grey Cover Electrical	65	710355	1	SCR-MC 10-32 x .50 STPL
33	370195	1	Spring, Cord Hook	66	711502	3	WSR-Flat #8
34	370196	1	Accessory Clip	67	715154	1	Decal Caution Ins
35	370197	1	Spring Bag Cover Latch	67A	715230	1	Decal, 2-Position Switch
36	370198	1	Extruded Handle	68	715155	1	Decal Insert Hose
37	370199	1	Gasket 3/16 x 5/16 Extruded	69	715501	1	Decal Made in USA
38	370221PKG	1	Upright Bag Plain, Pkg. of 10	71	715015	1	Decal Warning 1.25 x 2.75
38A	370218	1	Cloth Bag	72	370207	1	Insulator Pad, Vac Motor
39	711401	1	Nut-Riv 10-32	73	715178	1	Decal Bag Install
40	370204	1	Backer Plate	74	100028	1	Strain Relief
				75	370068	2	Carbon Brush (740704)



Parts List

Item	Part No.	Qty.	Description
1	370314	1	Brush Base Top Cover 14" Grey
2	370117	1	Coupling Housing/Base
2A	370141	1	Coupling Housing/Comp.
3	370088	1	Line Cord Grommet
4	740729	1	Power Cord Molded Plug
5	715146	1	Decal Brush Monitor
6	370030	1	Upright Switch Finger
7	740701	1	Switch Mini
8	370059	1	Coupling Switch Cover
9	370203	2	Felt Ring Coupling Flange
10	370210	1	Insulator Brush Motor 14
11	370008	2	Coupling Pivot Plate
12	370085	1	Felt Strip, Base Cover
13	370091	1	Gasket-Intake Cover 8"
14	370090	1	Gasket-Intake Cover 11"
15	370100	1	Brush Core Assy. Comp.
16	370022	1	Brush End Plate/Drive
17	370052	1	Brush Drive Pulley
18	370043	1	Belt Brush Drive
19	370209	1	Pulley, Brush Motor
20	740700	1	Brush Motor 14" 120V
20A	740900	1	Brush Motor 14" 240V
21	370069	2	Carbon Brush 120V
21A	740899	2	Carbon Brush 240V
23	370044	1	Brush Strip Door
24	370023	1	Brush End Plate/Idle
26	704719	1	Elect Brush Control 120V
26A	740725	1	Elect Brush Control 240V
27	370092	1	Circuit Board Cushion 3"
28	711181	13	SCR-ST-B HI-LO 8 x .50 PL
29	370076	1	Spring Front Axle
30	370032	1	Vacuum Head Cam
31	370151	1	Base Assy. Includes 31, 42, 43
33	740036	2	Term Block PA-27-2
34	370064	1	Strain Relief Cover
35	370180	1	Support, Side Arm
36	370021	1	Upright Foot Release
37	370045	1	Upright Rear Axle
38	370073	1	Spring, Upright Axle
39	370009	2	Wheel 2 in. Molded
40	370074	2	Hubcap Upright
41	370075	7	Plate, Axle Retainer
44	370031	1	Center Wheel 1.5 Molded
45	370050	1	Center Wheel Axle
46	370040	1	Bumper Molded
47	710362	4	SCR-MC 10-32 x 1.25 STPL
48	710130	2	SCR-MC 8-32 x .62 ST NIK
49	710010	1	SCR-MC 6-32 x .37 OH
50	370084	1	Pushnut Bolt Retainer
51	711502	4	WSR-Flat #8
52	370172	2	Bearing, Vac Neck
53	711577	2	WSR-Flat 1/2 x .257 x .030 THK
54	715156	1	Decal Caution Brush Start
55	370113	2	Straight Knurled Pin



Parts List

Item	Part No.	Qty.	Description
1	370318	1	Base Top Cover 18" Grey
2	370117	1	Coupling Housing/Base
2A	370141	1	Coupling Housing/Comp.
3	370088	1	Line Cord Grommet
4	740729	1	Power Cord Molded Plug
5	715162	1	Decal Brush Control
6	370030	1	Upright Switch Finger
7	740701	1	Switch Mini
8	370059	1	Coupling Switch Cover
9	370203	2	Felt Ring Coupling Flange
10	370211	1	Insulator Brush Motor 18 in.
11	370008	2	Coupling Pivot Plate
12	370085	1	Felt Strip, Base Cover
13	711721	1	Retaining Ring E Type
13	370037	2	Gasket PS Back
15	370126	1	Brush Core Assy. 18 in.
16	370022	1	Brush End Plate/Drive
17	370052	1	Brush Drive Pulley
18	370174	1	Belt
19	370209	1	Pulley, Brush Motor
20	740718	1	Brush Motor 18" 120V
20A	740724	1	Brush Motor 18" 240V
21	370069	2	Carbon Brush 120V
21A	740899	2	Carbon Brush 240V
22	370128	1	Brush Strip Assy. 18 in.
23	370044	1	Brush Strip Door
24	370023	1	Brush End Plate/Idle
25	370077	2	Bearing, Upright Brush
26	704719	1	Elect Brush Control 120V
26A	740725	1	Elect Brush Control 240V
27	370092	1	Circuit Board Cushion 3"
28	711181	17	SCR-ST-B HI-LO 8 x .50 PL
29	370076	1	Spring Front Axle
30	370032	1	Vacuum Head Cam
31	370118	1	Brush Base Housing 18 in.
32	370152	1	Rub Strip
33	740036	1	Term Block
34	370064	1	Strain Relief Cover
35	370180	1	Support, Side Arm
36	370021	1	Upright Foot Release
37	370132	1	Rear Axle 18 in.
38	370073	1	Spring, Upright Axle
39	370129	2	Wheel 2 in. Molded
40	370074	1	Hubcap Upright
41	370075	1	Plate, Axle Retainer
42	370121	2	Metal Protector 18 in.
43	370071	2	Wire Formed Protector
44	370143	2	Center Wheel w/Bushing
45	370130	1	Center Wheel Axle 18 in.
46	370120	1	Bumper Molded 18 in.
47	710362	5	SCR-MC 10-32 x 1.25 STPL
48	710130	2	SCR-MC 8-32 x .62 ST NIK
49	710010	1	SCR-MC 6-32 x .37 OH
50	370084	1	Pushnut Bolt Retainer
52	370172	2	Bearing, Vac Neck
53	711577	4	WSR-Flat
54	370133	1	Wire Protector 18 in.
55	370113	2	Straight Knurled Pin
55	370131	1	Cam Bracket
56	711502	4	WSR-Flat #8
57	715156	1	Decal Caution Brush Start

When ordering spare parts, please state the following:

1. Model number of machine, serial number of machine.
2. Exact destination of the required spare part as well as order and part number, but without picture number.
3. Correct and full address, and to whose attention any parts should be sent.
4. When returning defective parts, ask for Return Goods authorization.
5. The returned part will be scrapped if not informed otherwise.

For your convenience, do the following:

Enter Serial No. here: _____
For ordering of correct part for this equipment
save for future reference.

WARRANTY

National Sanitary Supply Co. warrants that this sweeper has been thoroughly inspected and tested, and found to be free of defects in workmanship or materials, and guarantees to repair or replace free of charge any part or parts proven defective within one year from the date of purchase by the original owner. Ordinary wear, accident, or misuses are expressly excepted. This warranty does not cover replacement of normal wear parts such as gaskets, pulleys, bumpers, brushes, wheels, casters, belts, etc. No local service or repair charges are allowed. EXCEPT AS TO TITLE AND MERCHANTABILITY, THIS WARRANTY IS IN LIEU OF ALL OTHER WARRANTIES EXPRESSED OR IMPLIED. IN NO EVENT SHALL NATIONAL SANITARY SUPPLY CO. BE LIABLE FOR CONSEQUENTIAL DAMAGES.

NATIONAL SANITARY SUPPLY CO

13217 S. FIGUEROA, P.O. BOX 61126, LOS ANGELES, CA 90061
4902 GULF FREEWAY, P.O. BOX 1908, HOUSTON, TEXAS 77251

(310) 527-3000
(713) 928-5171

ALBUQUERQUE, NM (505) 881-6550
ANAHEIM, CA (714) 776-5030
ARROYO GRANDE, CA (805) 481-5149
AUSTIN, TX (512) 835-2424
BAKERSFIELD, CA (805) 327-1606
BEAUMONT, TX (409) 842-1120
BEND, OR (503) 389-6560
BRYAN, TX (409) 779-8555
BURLINGAME, CA (415) 697-6321
CHICO, CA (916) 343-6003
COLORADO SPR., CO (719) 577-4000
CORPUS CHRISTI, TX (512) 883-7231
DALLAS, TX (214) 241-3445
DENVER, CO (303) 373-1450
EAGLE, CO (303) 490-2108

EL PASO, TX (915) 592-7543
EUGENE, OR (503) 343-2583
FARMINGTON, NM (505) 325-4132
FORT COLLINS, CO (303) 490-1027
FORT WORTH, TX (817) 284-6374
FRESNO, CA (209) 291-0226
GALLUP, NM (505) 863-4496
GALVESTON, TX (409) 762-8494
GRAND JCT., CO (303) 243-4362
HAYWARD, CA (415) 887-0301
HOUSTON, TX (713) 928-5171
JACKSON, MS (601) 353-3466
KLAMATH FALLS, OR (503) 884-0657
LAFAYETTE, LA (318) 234-7351

(915) 592-7543
(503) 343-2583
(505) 325-4132
(303) 490-1027
(817) 284-6374
(209) 291-0226
(505) 863-4496
(409) 762-8494
(303) 243-4362
(415) 887-0301
(713) 928-5171
(601) 353-3466
(503) 884-0657
(318) 234-7351



CHECK THE WHITE
PAGES FOR OTHER
LOCATIONS

LAKE CHARLES, LA (318) 433-5533
LAREDO, TX (512) 722-1788
LAS VEGAS, NV (702) 739-8446
LOS ANGELES, CA (213) 532-4800
McALLEN, TX (512) 686-6593
MEMPHIS, TN (901) 365-0700
MODESTO, CA (209) 578-9712
OKLAHOMA CITY, OK (405) 685-3200
ONTARIO, CA (714) 988-7561
PALM SPRINGS, CA (619) 323-2620
PENDLETON, OR (503) 276-2852
PHOENIX, AZ (602) 829-7000
PORTLAND, OR (503) 234-0210
RIVERSIDE, CA (714) 358-0181

(318) 433-5533
(512) 722-1788
(702) 739-8446
(213) 532-4800
(512) 686-6593
(901) 365-0700
(209) 578-9712
(405) 685-3200
(714) 988-7561
(619) 323-2620
(503) 276-2852
(602) 829-7000
(503) 234-0210
(714) 358-0181

SACRAMENTO, CA (916) 364-8477
SALEM, OR (503) 390-1980
SALT LAKE CITY, UT (801) 973-2211
SAN ANTONIO, TX (512) 225-2881
SAN DIEGO, CA (619) 271-6980
SANTA BARBARA, CA (805) 963-7701
SANTA FE, NM (505) 988-7697
SANTA ROSA, CA (707) 526-7800
SEATTLE, WA (206) 622-2290
ST. GEORGE, UT (801) 628-4085
ST. LOUIS, MO (314) 569-2920
TUCSON, AZ (602) 624-6624
TUPELO, MS (601) 842-8184
VAN NUYS, CA (818) 891-0441
VICTORIA, TX (512) 576-9144

(916) 364-8477
(503) 390-1980
(801) 973-2211
(512) 225-2881
(619) 271-6980
(805) 963-7701
(505) 988-7697
(707) 526-7800
(206) 622-2290
(801) 628-4085
(314) 569-2920
(602) 624-6624
(601) 842-8184
(818) 891-0441
(512) 576-9144